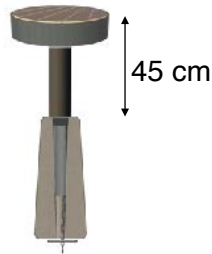


<b>Ground bracket - Concrete (A)</b>	
Elements Stool / Table 600 / Bar table 600	2-3
Elements Bench Curved / Bench Straight/Table Straight	4-6
Elements Table 1300/ Table 1000/ Grill Elements	7-8
FixGrill Single & Double	15
<b>Ground bracket - Terrace foot (B)</b>	
Elements Stools / Table 600 / Bar table 600	9
Elements Bench Curved / Bench Straight/Table Straight	10
Elements Table 1300/ Table 1000/ Grill Elements	11-12
Elements Planteringskärl alla modeller	13
FixGrill Single & Double	16
<b>Ground bracket - Shallow ground (C)</b>	
All Elements	14
FixGrill Single & Double	14
<b>Ground bracket - Casting (D)</b>	
All Elements	17
FixGrill Single & Double	17
<b>Ground bracket - Bolt (E)</b>	
All Elements	17
FixGrill Single & Double	17
<b>Mounting of backrest</b>	
All benches Elements	18
<b>Placement of furniture in relation to each other</b>	
Stools next to tables (all straight/round tables)	19
Bench next to table 600 & 1000	19
Bench next to Table/Planter 1300	20
<b>Maintenance instructions</b>	
	21
<b>Mounting of Fix Picnic table</b>	
	22-23
<b>Mounting of backrest on Fix Picnic table</b>	
	23
<b>Mounting of child seat on Fix Picnic table</b>	
	24

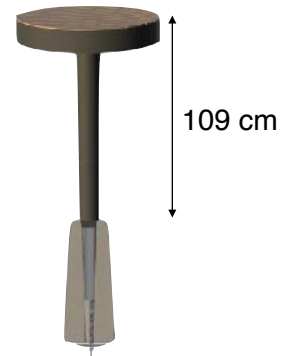
Assembly instructions:  
Ground bracket concrete (A)



Stool



Table 600

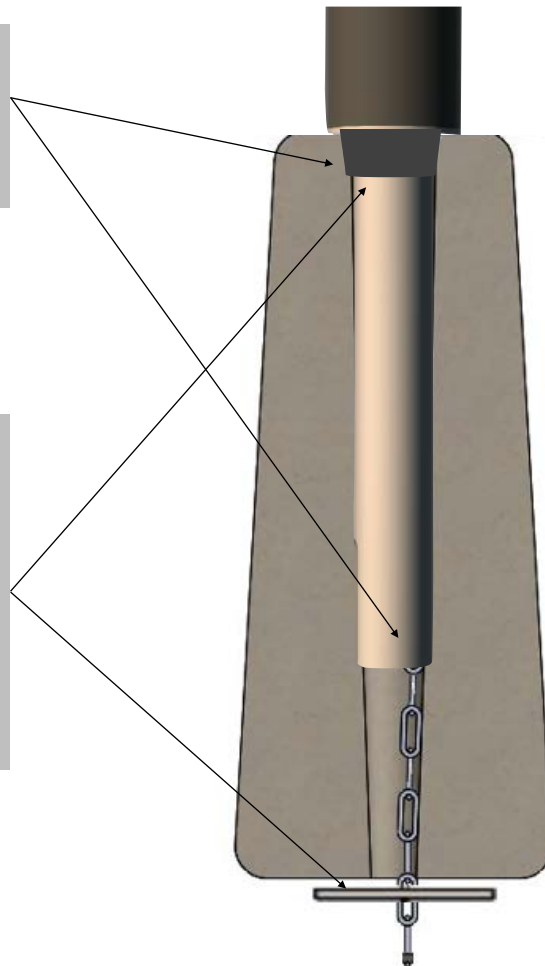


Bar table 600

**1.** Dig a 50cm deep hole in the ground.

**2.** Place the plastic cone on the pipe. Place the chain on the pin inside the pipe.

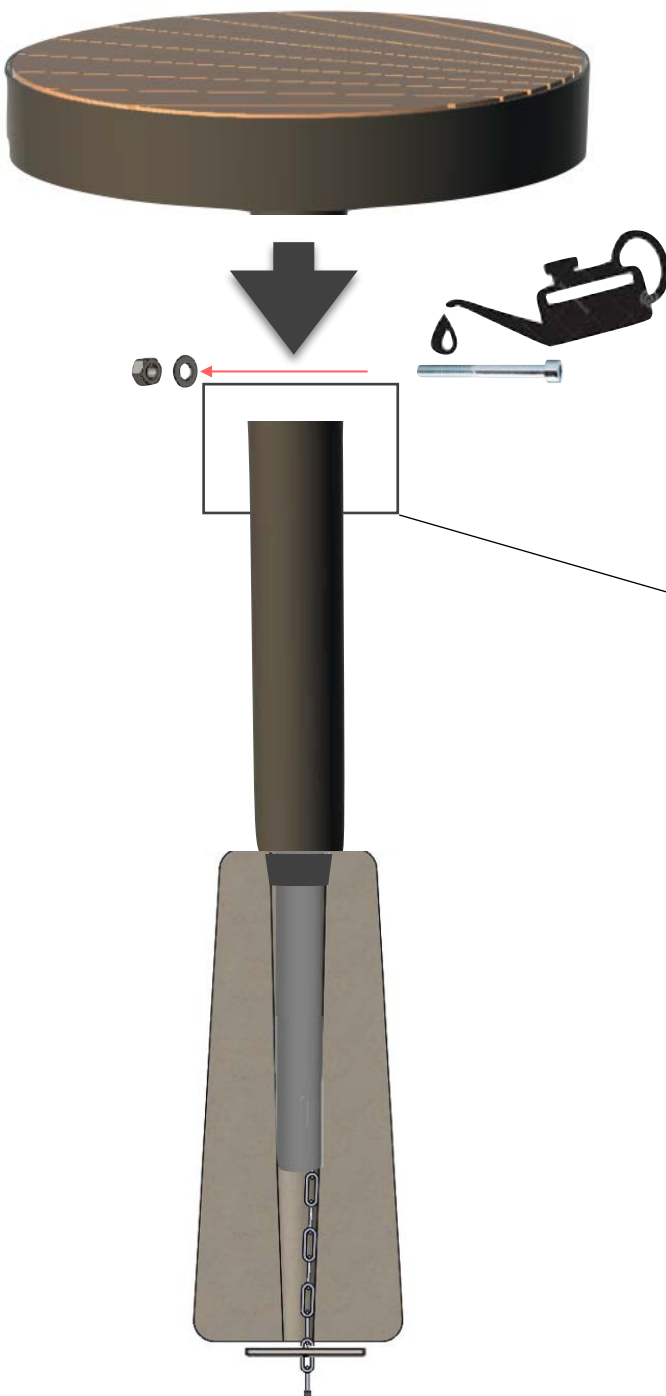
**3.** Lower the pipe with the chain into the concrete foundation and lock it with the iron pin. Make sure the plastic wedge stabilizes the pipe by pushing it down.



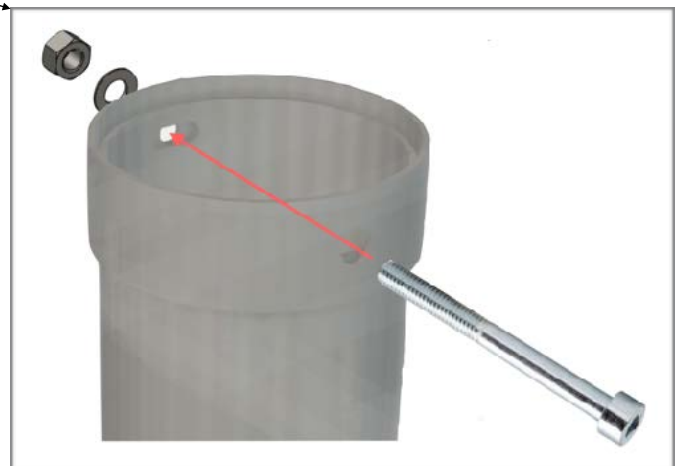
**4.** Lift the foundation into the dug hole. Don't forget to place the tube so that the holes for attaching the seat/table top point in the right direction depending on the desired direction of the pattern.

**5.** Refill and pack the soil/gravel for a stable installation.

6. Place the seat/table top.



7. Fasten the bolt as shown on the picture with the "head" in the bigger hole. Make sure the washer is placed on the opposite side from the bolts head by the nut.



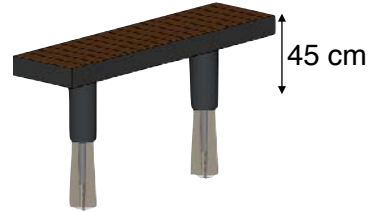
Assembly instructions: Ground bracket concrete (A)



Straight Table



Bench Curved



Bench Straight

1. Dig two 50cm deep holes in the ground. Use distances according to measures to the right.

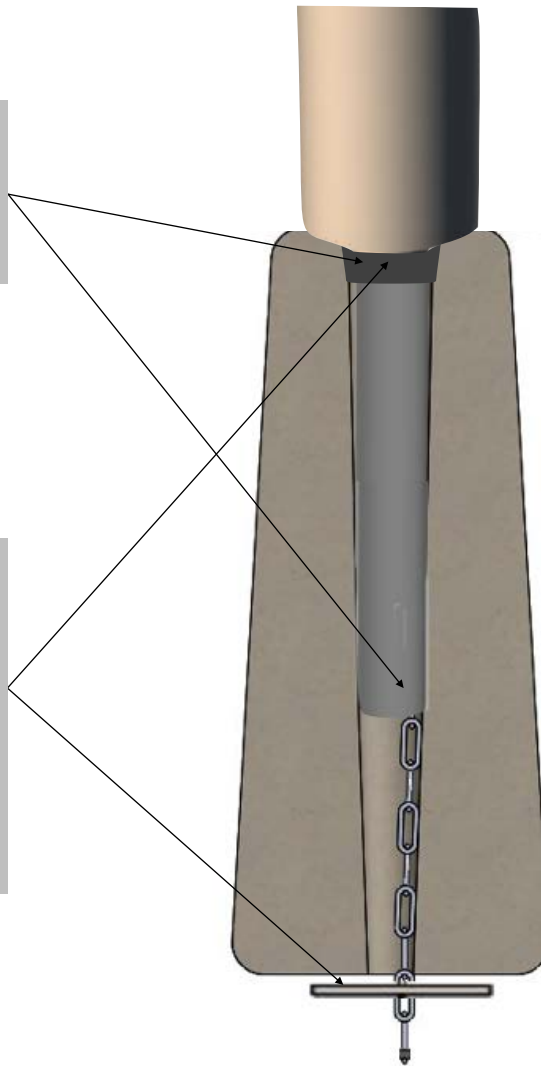
Bench curved: 61,5cm  
Bench straight: 89cm  
Table straight: 90cm

Length of Concrete foundation:  
Curved bench: 50 cm  
Straight bench: 50 cm  
Straight table: 50 cm



**2.** Place the plastic cone on the pipe. Place the chain on the pin inside the pipe.

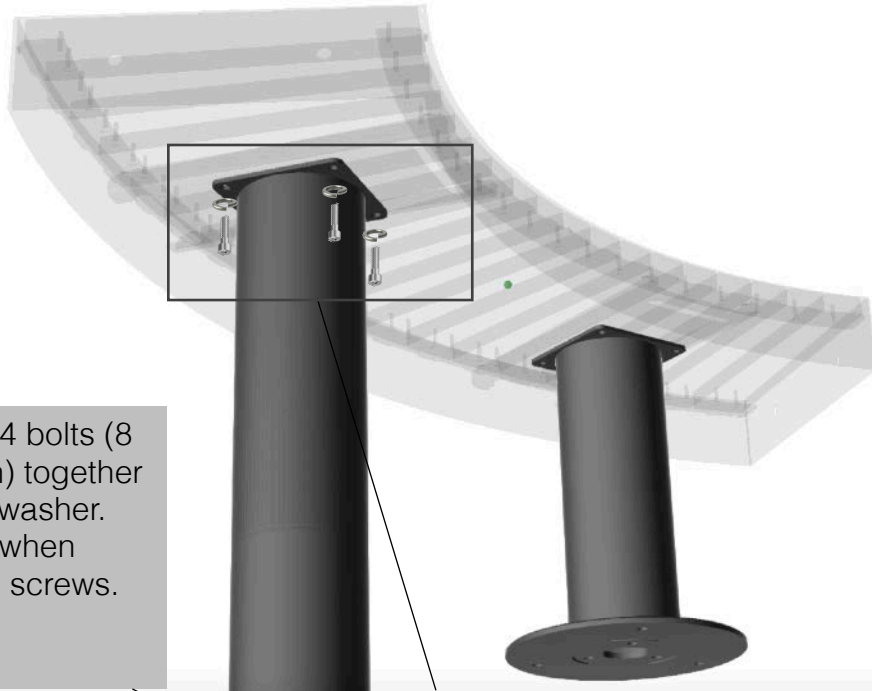
**3.** Lower the pipe with the chain into the concrete foundation and lock it with the iron pin. Make sure the plastic wedge stabilizes the pipe by pushing it down.



**4.** Lift the foundation into the dug hole. Fasten the bench on the legs before refilling the hole. Don't forget to place the tube so that the holes for attaching the seat point in the right direction.

**5.** Refill and pack the soil/gravel for a stable installation.

**6. NOTE!** If backrests are to be assembled, ensure that the bench prepared for backrest installation is positioned correctly. Refer to the 'Mounting of backrest' instructions later in this document.

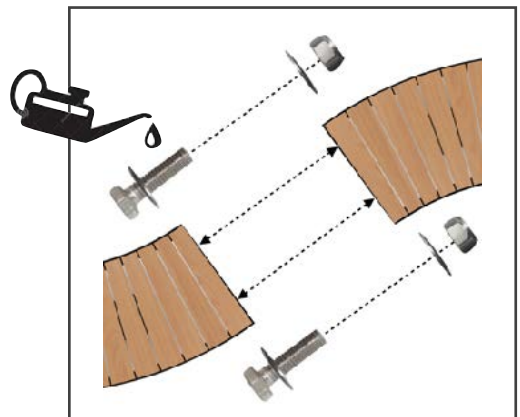
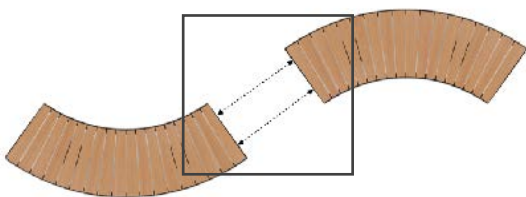


**7.** Fasten the 4 bolts (8 for one bench) together with a spring washer. use lubricant when tightening the screws.



**8.** For attaching benches, se pictures below.

Assembly benches together:



Assembly instructions:  
Ground bracket concrete  
(A)

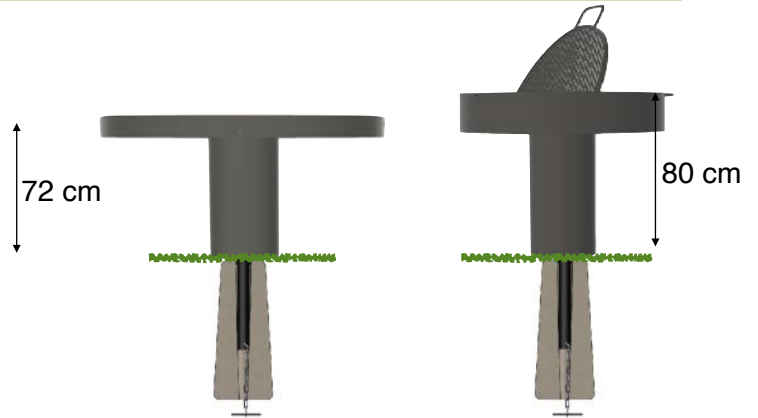


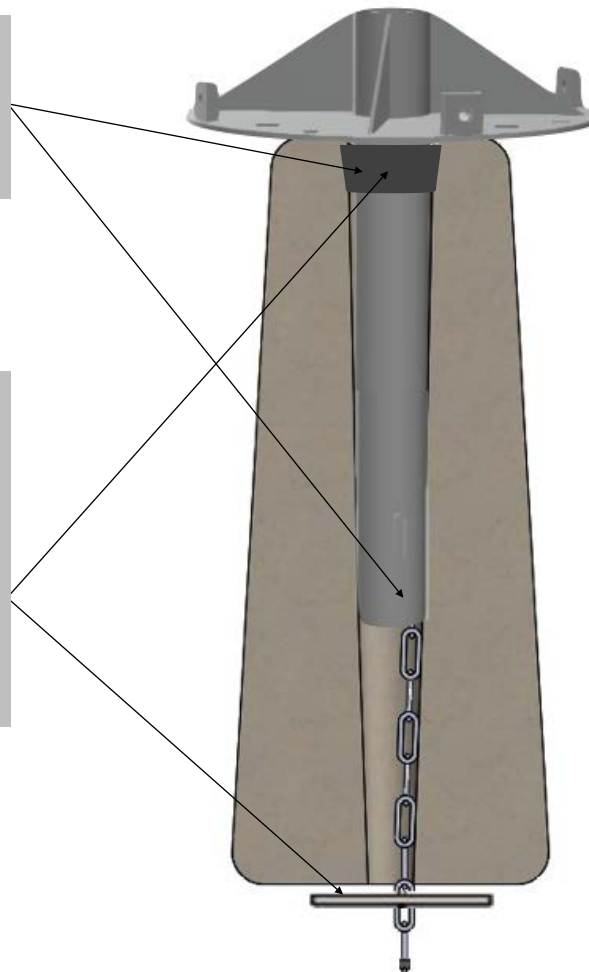
Table 1300/1000

Grill 1000

**1.** Dig a 70cm deep hole in the ground.

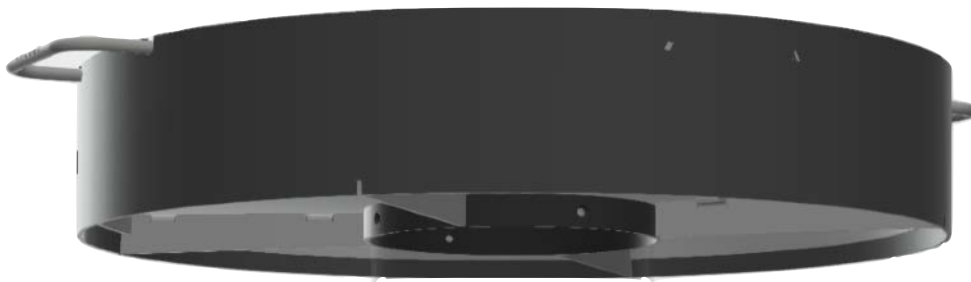
**2.** Place the plastic cone on the pipe. Place the chain on the pin inside the pipe.

**3.** Lower the pipe with the chain into the concrete foundation and lock it with the iron pin. Make sure the plastic wedge stabilizes the pipe by pushing it down.



**4.** Lift the foundation into the dug hole. Don't forget to place the tube so that the holes for attaching the grill/table top point in the right direction depending on the desired direction of the pattern.

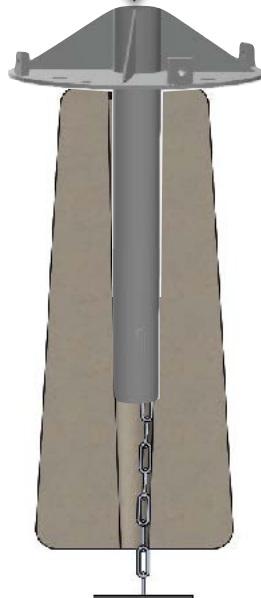
**5.** Refill and pack the soil/gravel for a stable installation.



7.



6.



**6.** Place the tube on the mounting plate and loosely attach all screws around. Don't forget to apply some oil/grease to the screws before assembly. Tighten each screw gradually until they are securely fastened.

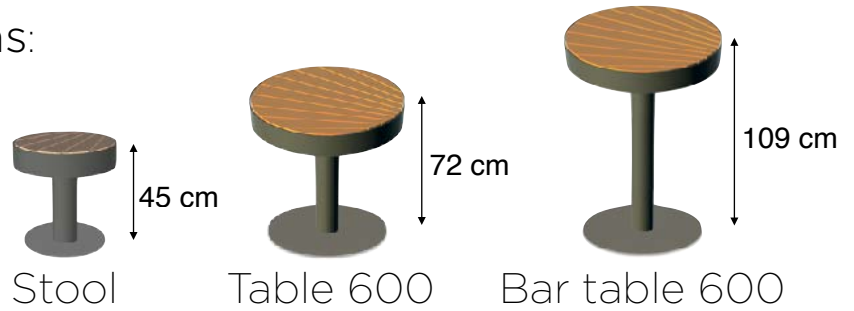
**7a (for Table)**  
Lower the upper part onto the tube and loosely fasten all screws around. Apply some oil/grease to the screws before assembly. Tighten the screws gradually until they are securely fastened.

**7b (for grill)**  
Lower the upper part of the grill onto the tube and fasten all screws around. Apply some oil/grease to the screws before assembly. NOTE! The screws at the top are mounted from inside the tube through the drainage hole on the leg. In other words, the screws should be screwed from inside to outside on the grill. Tighten the screws gradually until they are securely fastened.

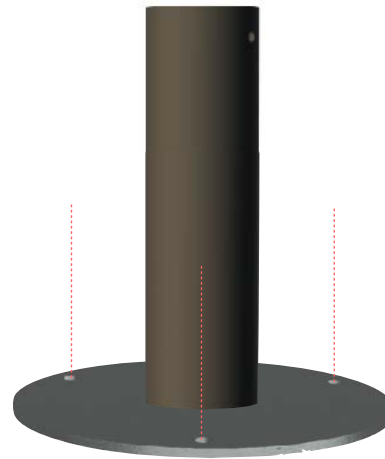
**8.** Remove any remaining protective packaging on the product



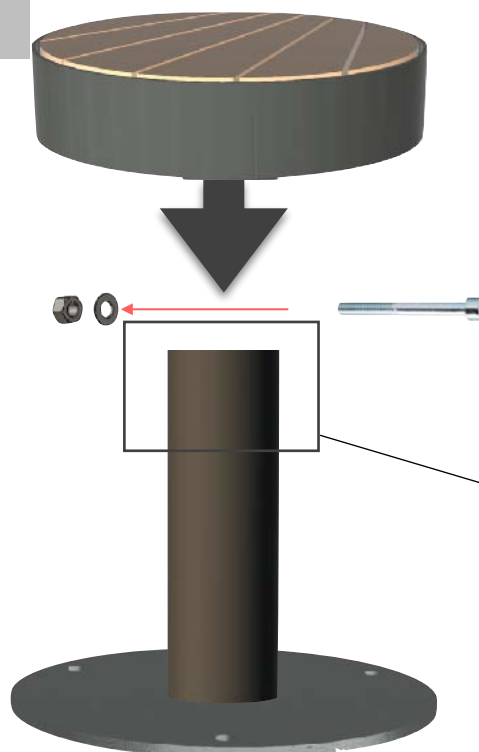
Assembly instructions:  
Terrace foot (B)



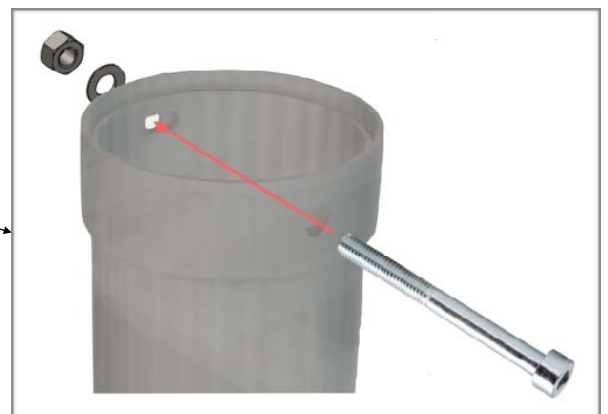
**1.** Place the terrace foot in the desired location and, if necessary, secure it to the surface using the holes on the base. Remember to position the holes on the tube in the right direction if the pattern on the upper part is intended to face a specific direction.



**2.** Lift the upper part of the terrace base and rotate the seat into the correct position.



**3.** Insert the long bolt (130mm) through the larger hole with the bolt head securing into it, thus locking the seat against the leg when tightened. Apply some oil/grease to the screws before assembly. NOTE! Do not use a washer at the bolt's head.



---

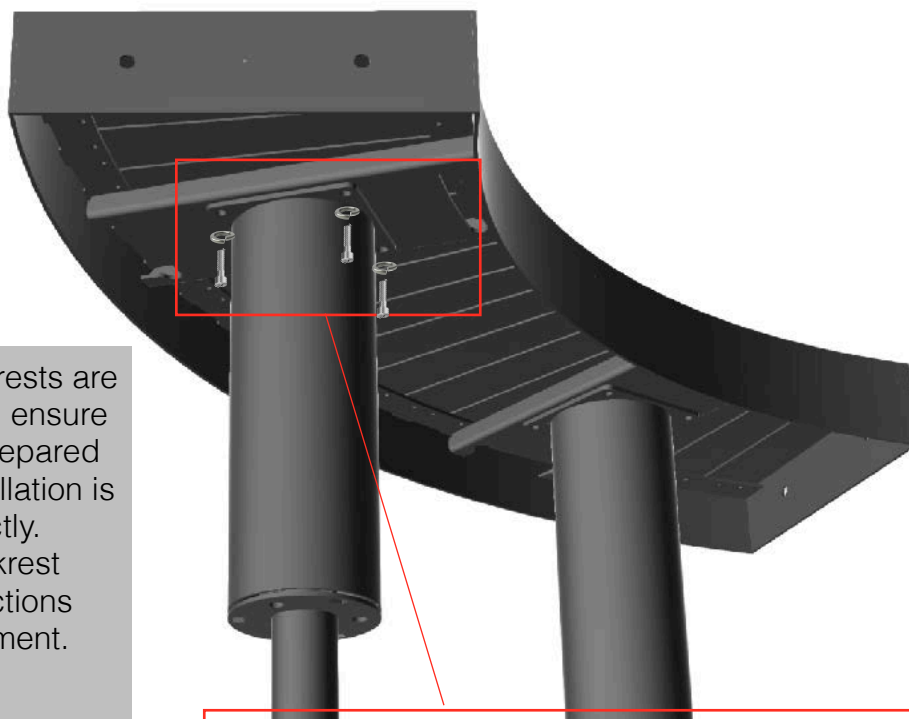
## Assembly instructions: Terrace foot (B)



Straight Table

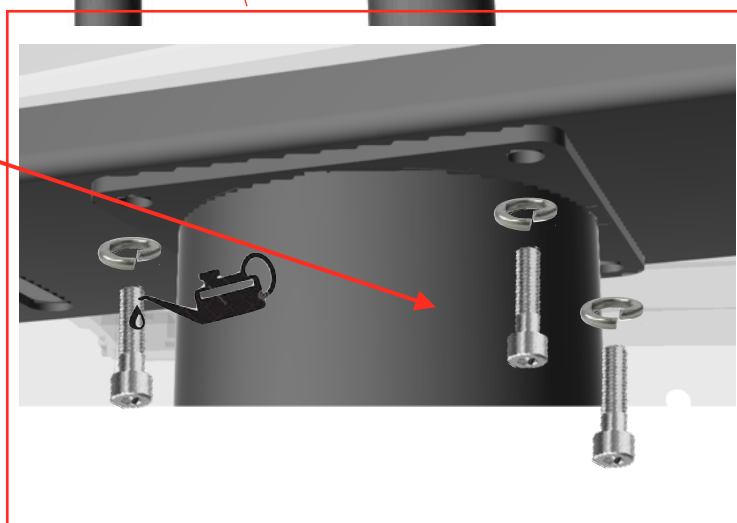
Bench Curved

Bench Straight



**1. NOTE!** If backrests are to be assembled, ensure that the bench prepared for backrest installation is positioned correctly. Refer to the 'Backrest Assembly' instructions later in this document.

**2.** Screw in the 4 screws (8 for both legs) along with a spring washer. Apply some oil/grease to the screws before assembly.

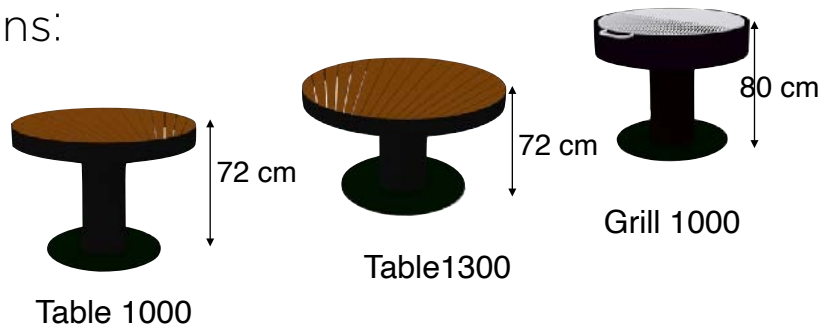


When assembling multiple benches in a row: Refer to page 6.

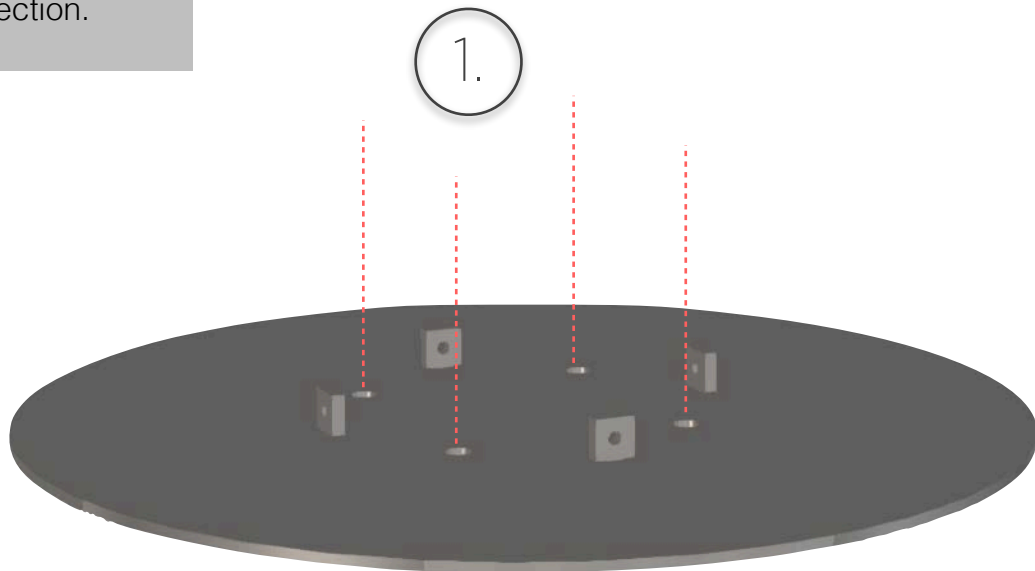
## Assembly instructions:

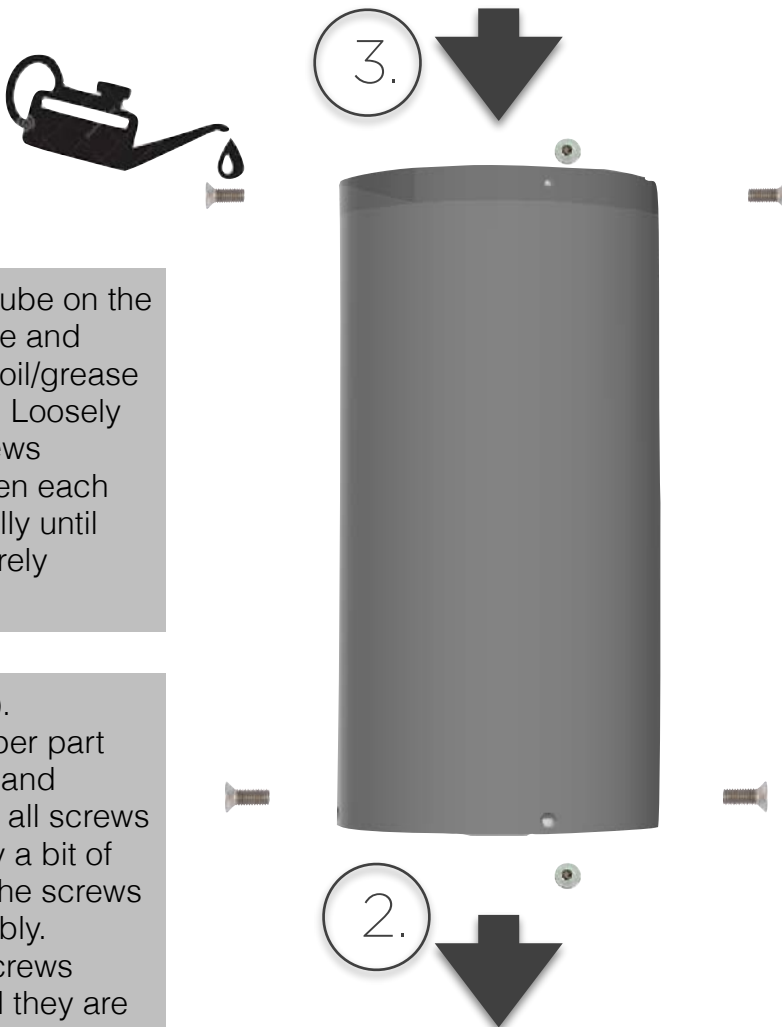
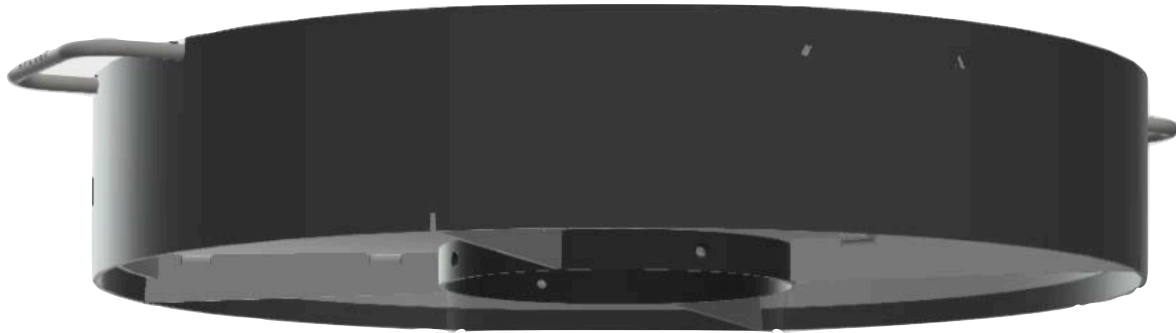
### Terrace foot (B)

**NOTE!** The terrace feet has the following diameters:  
 Table 1300 -> 850mm  
 Table 1000 -> 650mm  
 Grill -> 750mm



**1.** Place the terrace foot in the desired location and, if necessary, secure it to the surface using the holes on the foot. Remember to position the holes on the foot in the right direction if the table/grill is intended to face a specific direction.



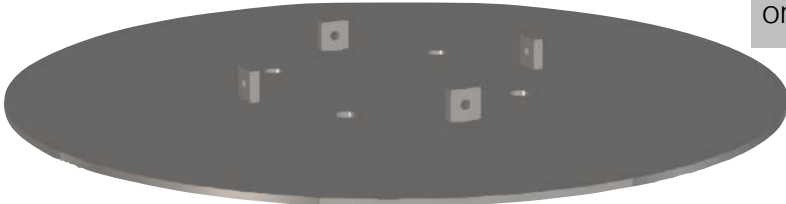


**2.** "Place the tube on the mounting plate and apply a bit of oil/grease to the screws. Loosely fasten all screws around. Tighten each screw gradually until they are securely fastened.

**3a (for Table).**  
Lower the upper part onto the tube and loosely fasten all screws around. Apply a bit of oil/grease to the screws before assembly. Tighten the screws gradually until they are securely fastened.

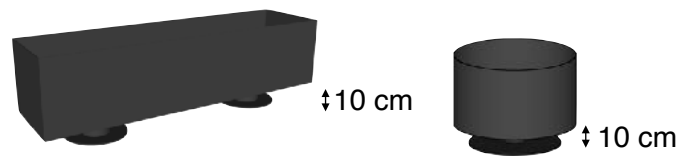
**3b (för grillen).**  
Lower the upper part of the grill onto the tube and fasten all screws around. NOTE! The screws at the top are mounted from inside the tube through the drainage hole on the leg. In other words, the screws should be screwed from inside to outside on the grill. Tighten the screws gradually until they are securely fastened.

**4.** Remove any remaining protective packaging still present on the product.



---

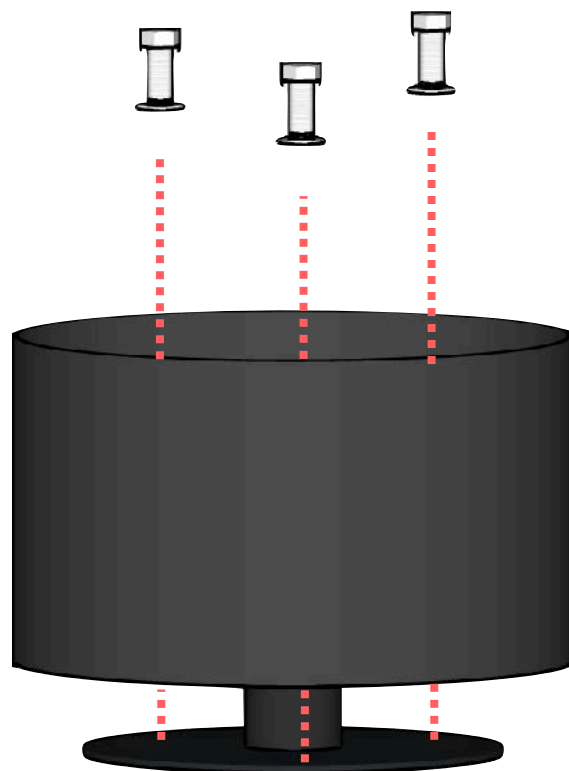
Assembly instructions:  
Terrace foot (B)



Planters all models  
(Elements)

---

Place the planter in the desired location. Mark the surface through the holes at the bottom of the container, directly above the hole in the foot. Prepare the surface for the screw (drill/plug, etc.). Then, securely screw the container into the surface.



## Assembly instructions:

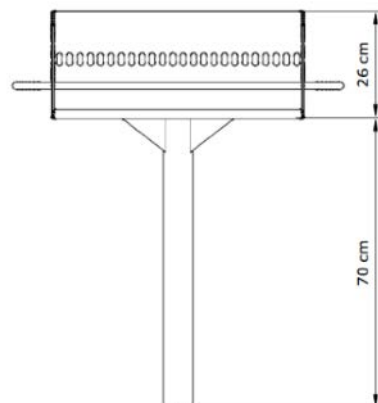
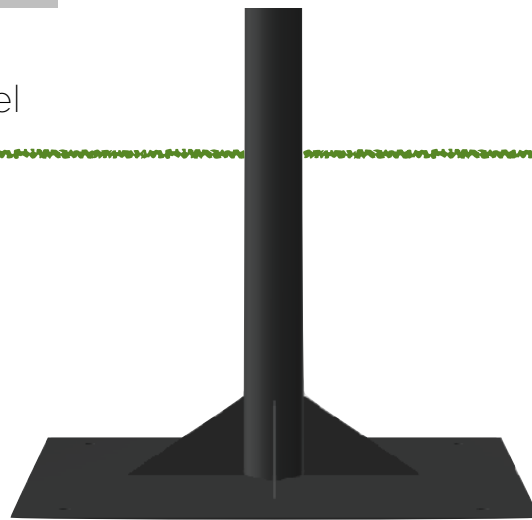
Ground bracket - shallow ground (C) For courtyards with floor structures underneath.

**1.** Lower the tube with the ground plate into the excavated hole (approximately 60x60cm and about 30cm deep). Don't forget to position the tube so that the mounting holes point in the right direction based on the desired orientation of the product

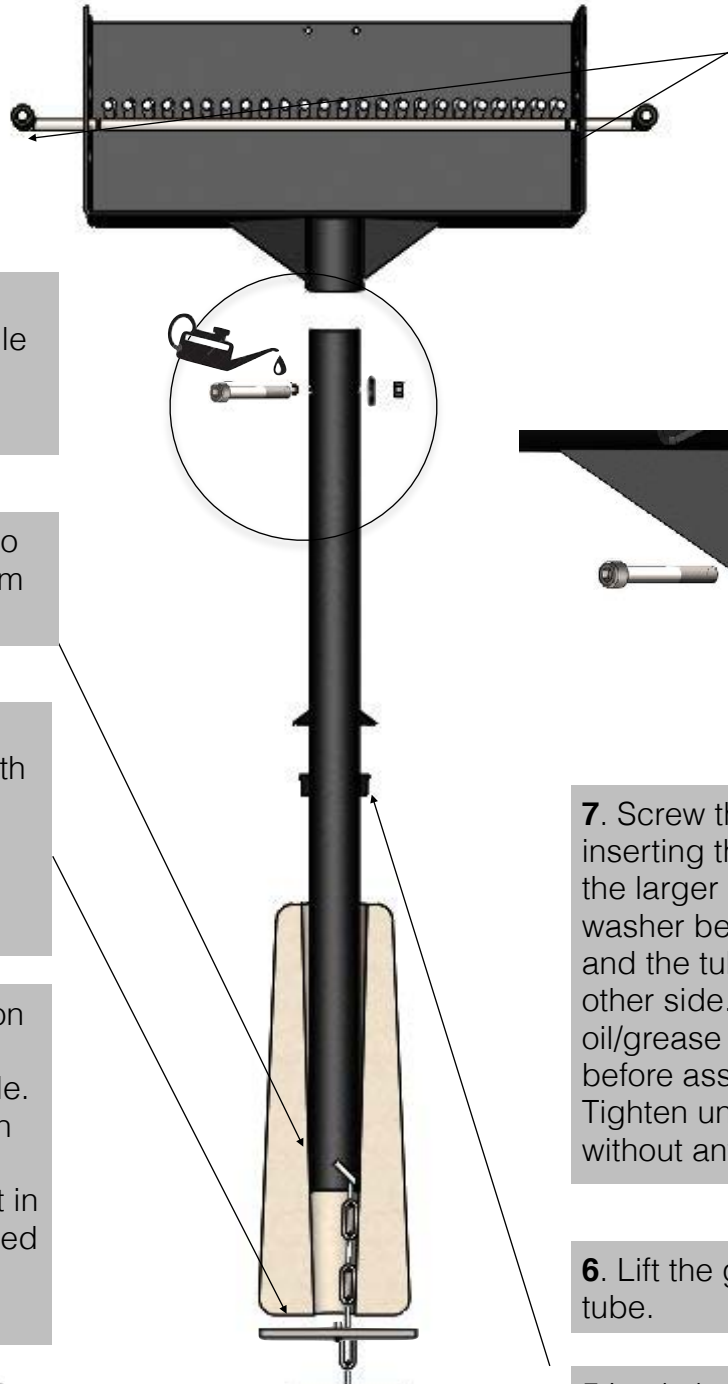
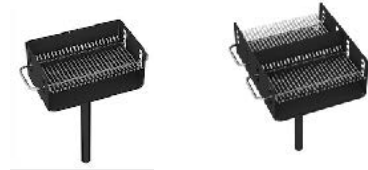
**2.** If possible (taking into consideration waterproofing and similar factors), bolt the plate securely to the surface.

**3.** For the installation of each product on the ground plate, follow the same procedure as 'Attachment with Ground bracket concrete (A),' but without using concrete foundation and plastic wedges.

Surface level



Assembly instructions:  
Ground bracket concrete (A)



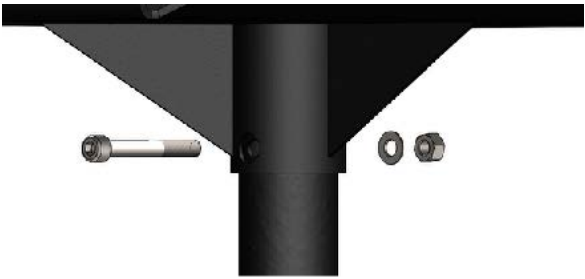
**1.** Dig a pit, at least 50cm for FixGrill Single and 70cm for FixGrill Double.

**2.** Hook the chain onto the spike at the bottom of the tube.

**3.** Lower the tube into the excavated hole with the chain in the concrete foundation and secure it with the iron pin.

**4.** Lower the foundation with the tube inserted into the excavated hole. Don't forget to position the tube so that the holes for the grill point in the right direction based on the desired orientation of the grill.

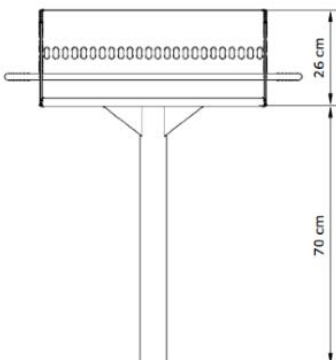
**8.** Remove the hoses that have protected the grill during transportation.



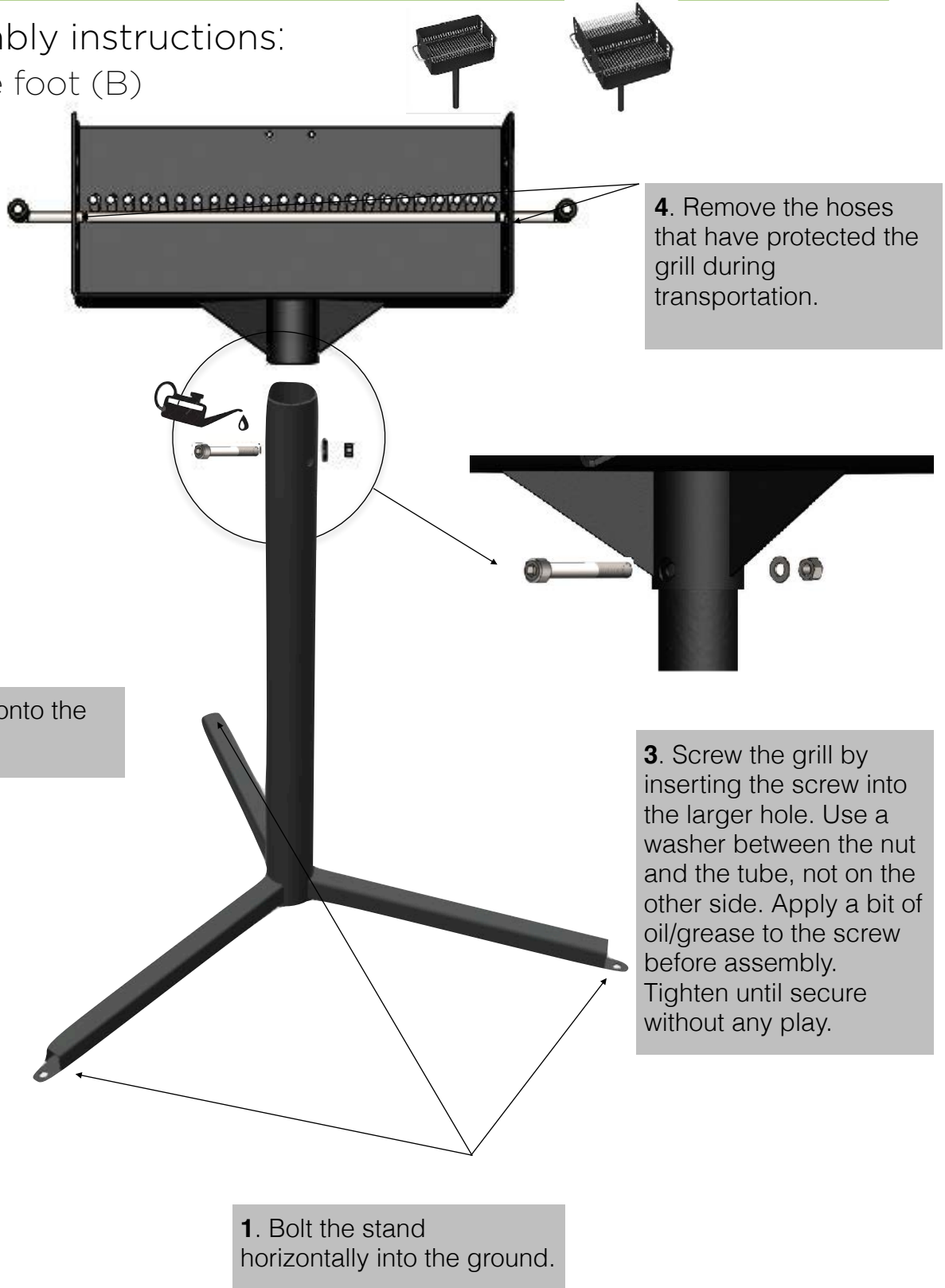
**7.** Screw the grill by inserting the screw into the larger hole. Use a washer between the nut and the tube, not on the other side. Apply a bit of oil/grease to the screw before assembly. Tighten until secure without any play.

**6.** Lift the grill onto the tube.

**5.** Lock the tube laterally with the bushing and then place the protective cover on top.



### Assembly instructions: Terrace foot (B)



**2.** Lift the grill onto the post.

**4.** Remove the hoses that have protected the grill during transportation.

**3.** Screw the grill by inserting the screw into the larger hole. Use a washer between the nut and the tube, not on the other side. Apply a bit of oil/grease to the screw before assembly. Tighten until secure without any play.

**1.** Bolt the stand horizontally into the ground.



---

Assembly instructions:  
Ground bracket casting (D)

Same procedure as 'Ground bracket concrete (A)' but without using concrete foundation and plastic wedges.

---

Assembly instructions:  
Ground bracket bolt (E)

Same procedure as 'Ground bracket Terrace Foot (B).'

Assembly instructions: :  
Backrest



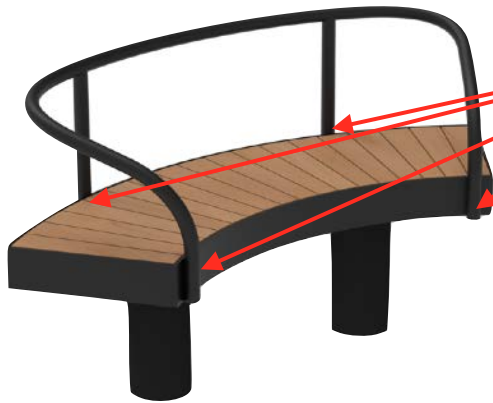
Backrest outside bench curved



Backrest inside bench curved



Backrest bench straight

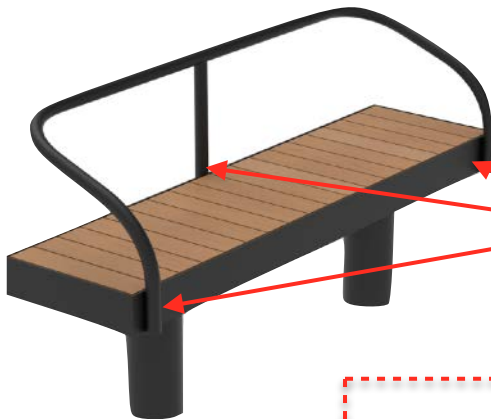
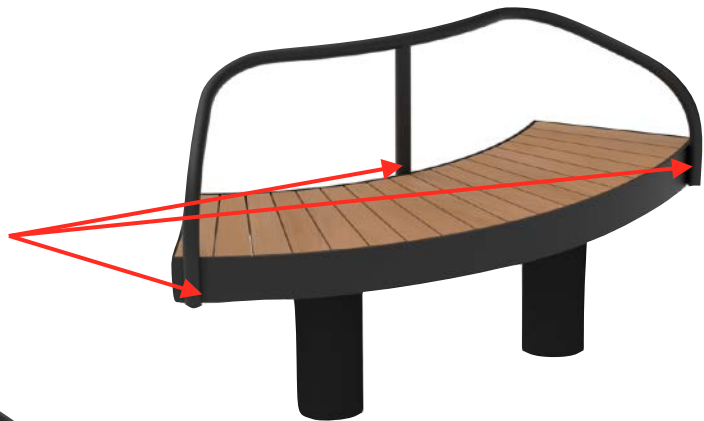


**Backrest outside bench curved**

The bench has 2 holes on the convex side, a bit in from the edge, and 2 holes on the concave side, at the outer edge.

**Backrest inside bench curved**

The bench has 2 holes on the convex side, a bit in from the edge, and 2 holes on the concave side, at the outer edge.



**Backrest bench straight**

The bench has 2 holes on the side where you place your legs and 1 hole on the back side.



Don't forget to lubricate the screws with a drop of oil before assembling.

**Mounting instruction:**

Furniture in relation to each other. (Note any deviations in your specific installation. These measurements represent a general standard for these products.)

Stools next to table (all straight/round tables)

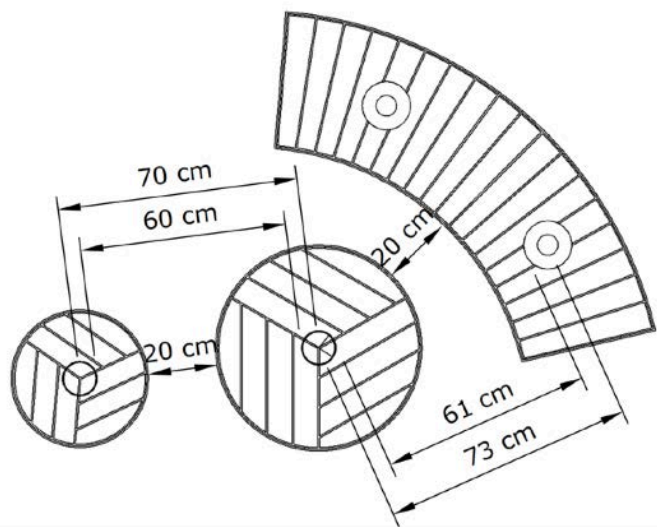
Bench next to table 600 & 1000

**Stools next to table (all straight/round tables)**

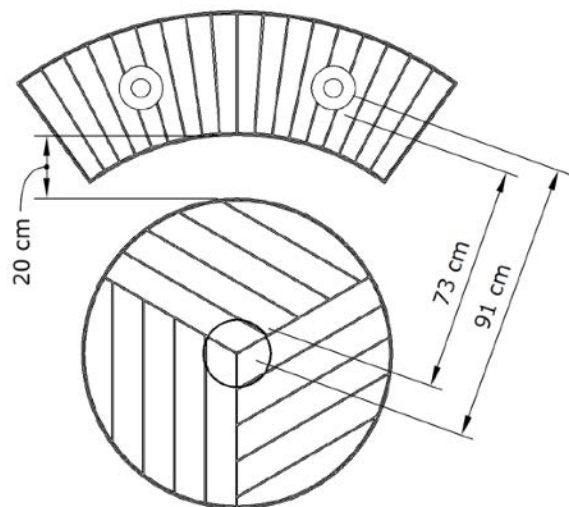
All stools that are assembled next to the table should be mounted with approximately 20cm distance from the tabletop when viewed directly from above.

**Bench next to table 600 & 1000**

The table mounted next to the bench should be positioned with a distance of 20cm from the tabletop when viewed directly from above. Note that this is only at the center of the bench/bench formation.



Above: Curved bench and table 600, as well as a stool.



Above: Curved bench and table 1000.

---

## Mounting instruction:

Furniture in relation to each other. (Note any deviations in your specific installation. These measurements represent a general standard for these products.)

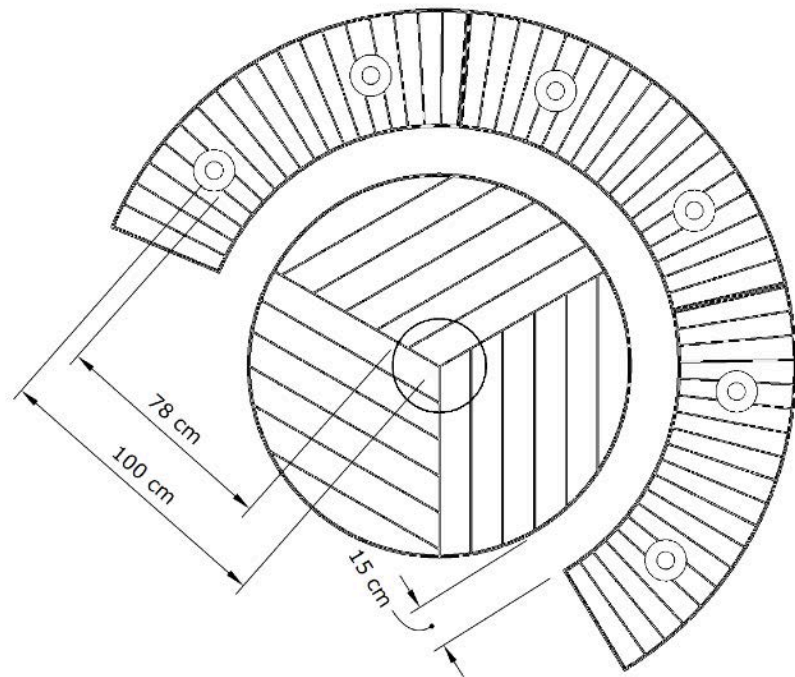
---

### Bench next to Table/Planter 1300

**Bench next to Table/Planter 1300**

Curved bench in combination with table/planting container 1300 is assembled with a 15cm distance between the front edge of the bench and the tabletop when viewed directly from above. This positions the table/container in the center.

NOTE: When using a backrest, the table can be placed slightly farther from the edge for better accessibility adaptation.



Above: Curved bench and Table/Planting container 1300.

## Maintenance

### Steel parts

To ensure that bolts and lock nuts, etc., are securely fastened, we recommend checking them within a few weeks after installation. Furthermore, nuts should be inspected annually and tightened as needed. Painted surfaces can be cleaned, but avoid using strong chemicals or high-pressure washers up close, as this may negatively affect the product. On our products that are hot-dip galvanized, "white rust" may appear, which does not affect the lifespan and can be easily rinsed off.

### Thermowood®

Heat-treated wood is a natural product, completely free of chemicals, whose color gradually turns gray over time. To preserve the wood's color longer and prevent small cracks, we recommend oiling the wood at regular intervals. Since heat-treated wood maintains consistent properties throughout, these wood details can be sanded without altering their characteristics. Oiling the wood does not significantly extend its lifespan but protects the surface from dirt.

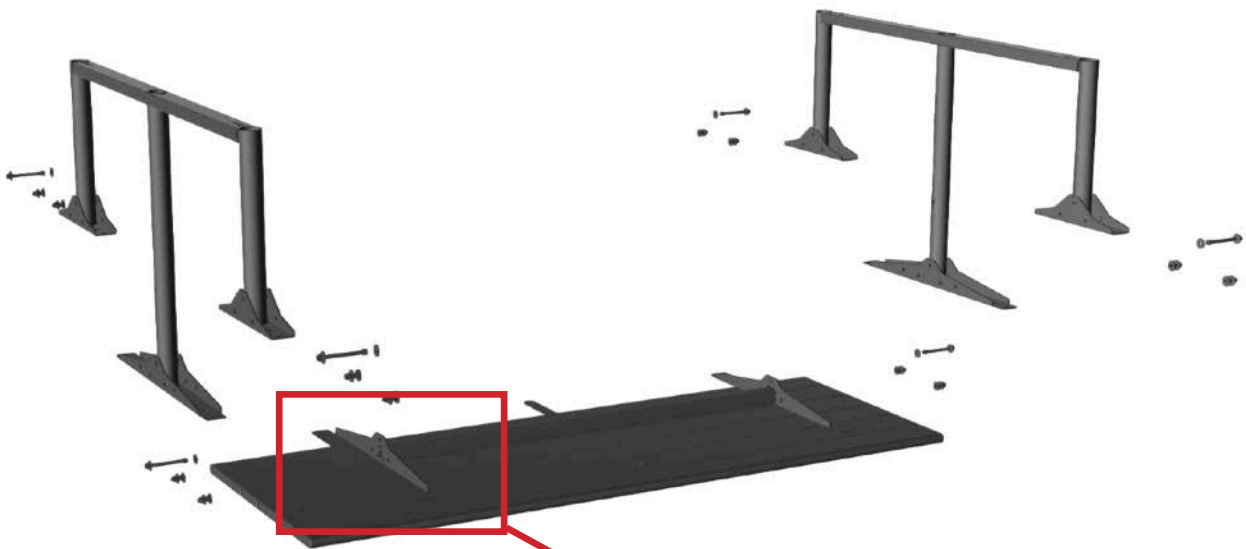
### Stone

The most important points regarding the care of natural stone:

- Identify the type of stone before cleaning begins.
- Apply an environmental/precautionary approach.
- Use methods as dry as possible.
- Let the stone surface be a wear surface; polish should not be used.
- Granite: Use Allrent.
- Marble/limestone: Use natural soap + alternate with Allrent.
- Do not use acidic cleaning agents.

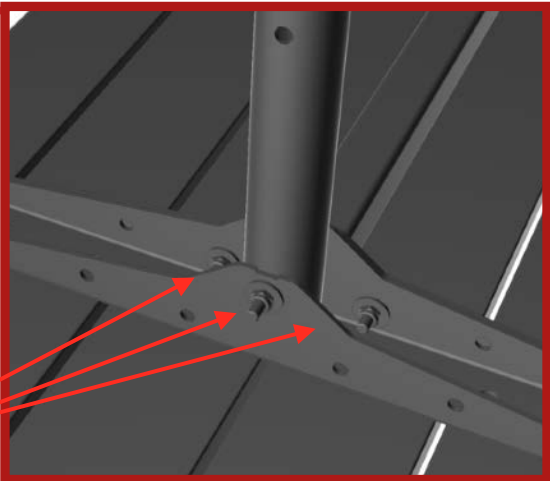
For more information, visit: [http://media.sten.se/2012/01/Natursten\\_Sk%C3%B6tselanvisningar.pdf](http://media.sten.se/2012/01/Natursten_Sk%C3%B6tselanvisningar.pdf)

Mounting instruction:  
Fix Picnic table



**1.** Place the tabletop upside down on a soft surface, preferably packaging from the shipment.

**2.** Start by assembling the gables, using 3 screws on each gable, and the longest screw should go through the leg of the table (the tube). For the two screws that do not go through the leg, ensure that their nuts end up protected 'inside' the U-profile to avoid sharp edges that could be bumped into with the legs.



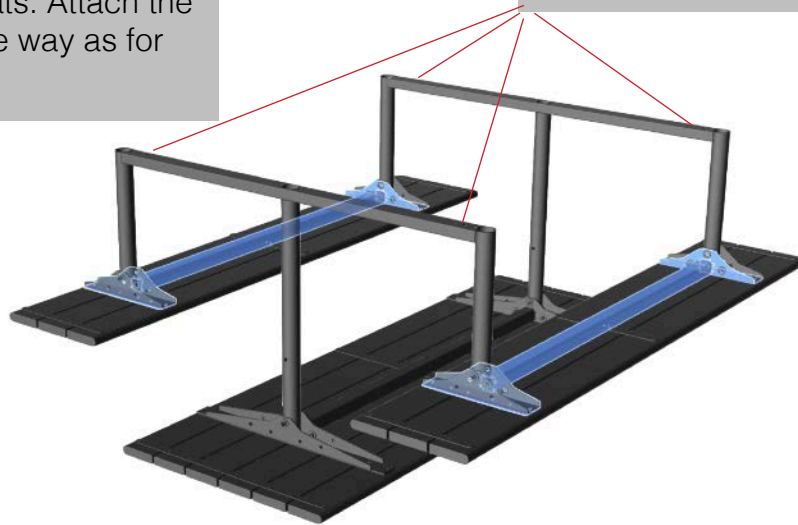
Don't forget to lubricate the screws with a drop of oil before assembling.

Mounting instruction:  
Fix Picnic table

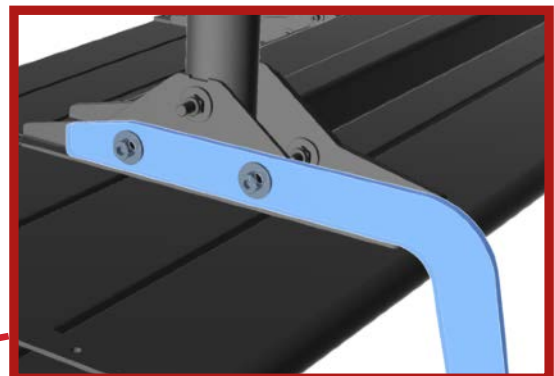
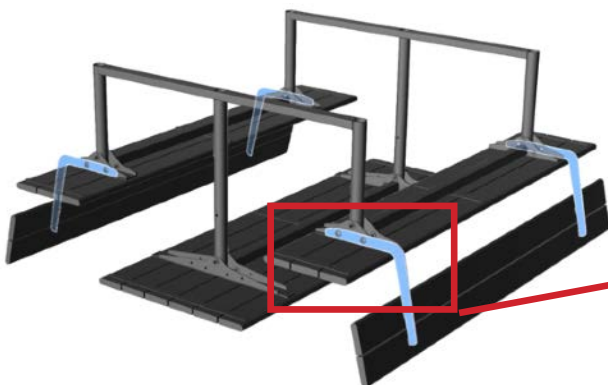


**3.** Continue the assembly, now with the bench seats. Attach the screws in the same way as for the tabletop.

**4.** Assemble the four leveling screws and the four plastic plugs in the tube ends of the gables.



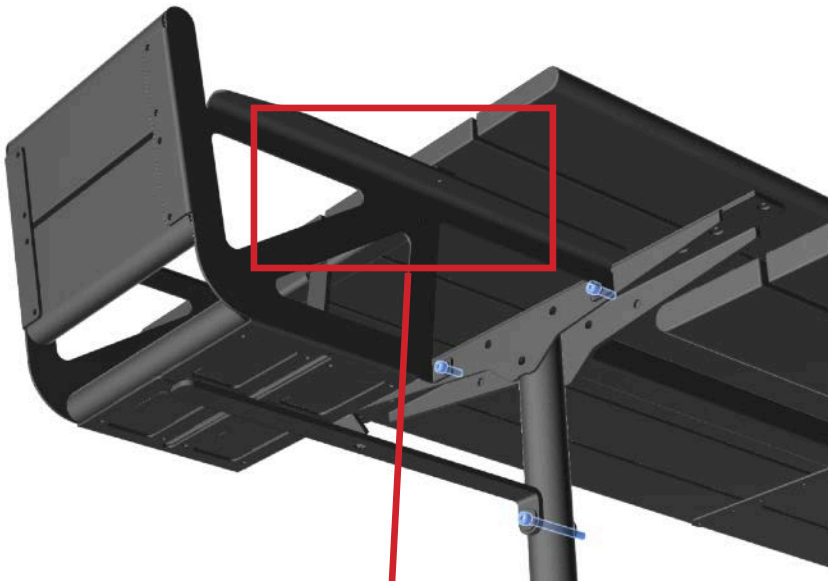
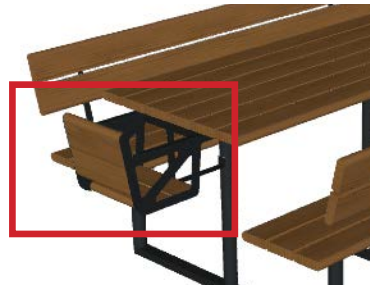
Mounting instruction:  
Backrest for Fix Picnic table



**1.** If a backrest is to be assembled, it can be done more easily before the table is turned back. If a bench is supplemented with a backrest, it can also be done with the bench right-side up. Attach two screws per bracket (4 in total per backrest) and turn them in the same way with the nuts facing 'inward' towards the center of the table.



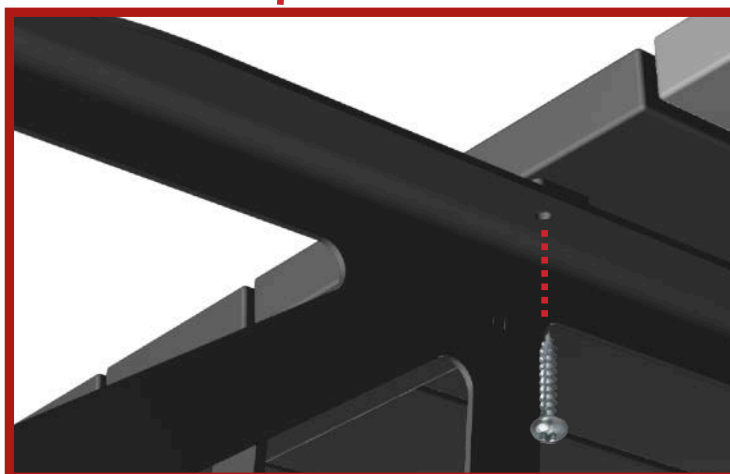
## Mounting instruction: Child seat on Fix Picnic table



**1.** Assemble the child seat with three bolts, of which the longest one should go through the leg (tube). Be sure to turn the nuts on the screws toward the center of the table.



Don't forget to lubricate the screws with a drop of oil before assembling.



**2.** Screw the two wood screws up into the tabletop, one on each side of the child seat.